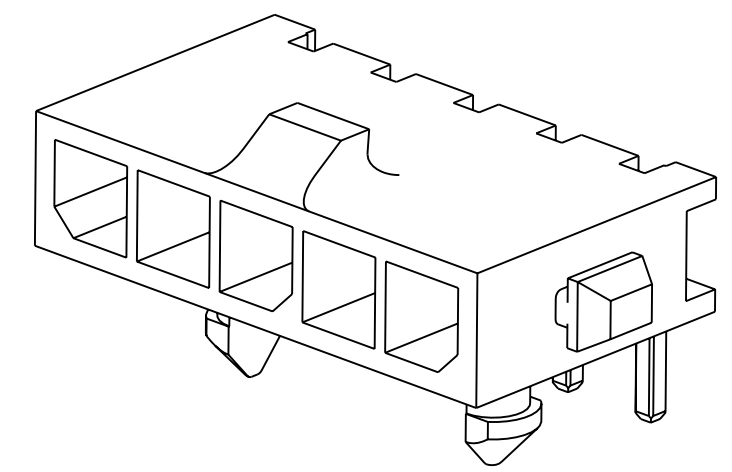
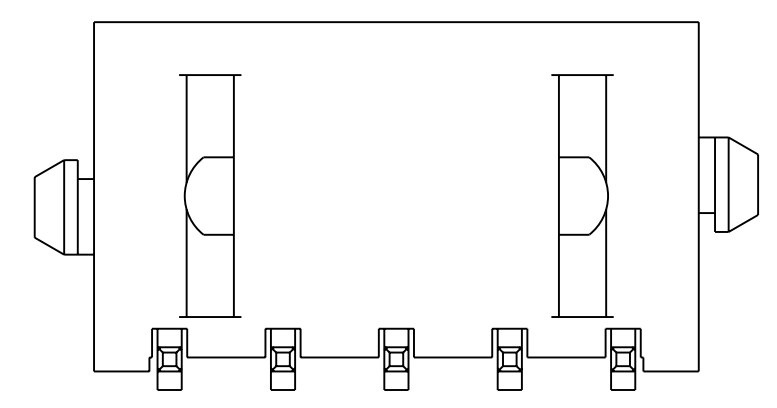
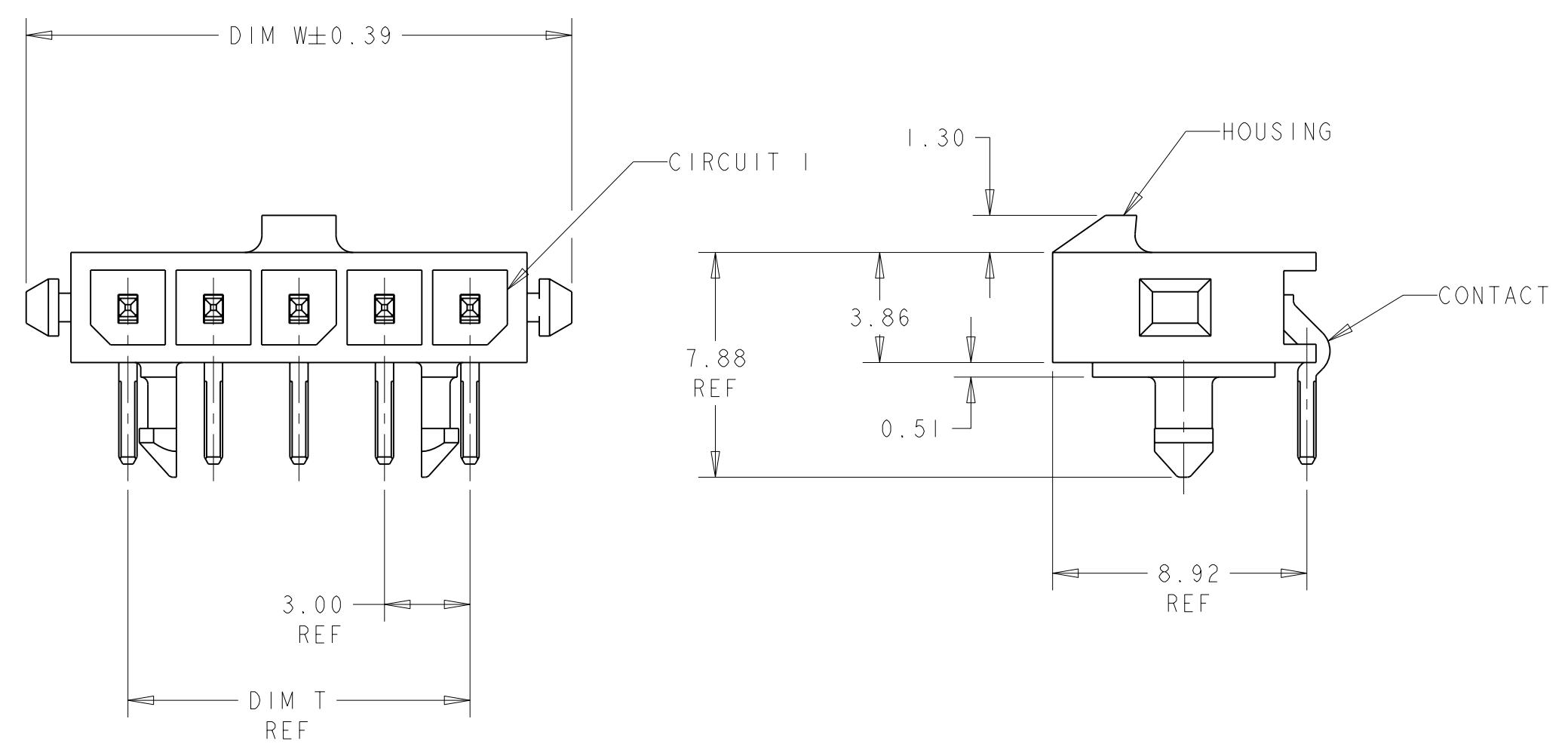


THIS DRAWING IS UNPUBLISHED. RELEASED FOR PUBLICATION .19
 BY AMP INCORPORATED. ALL RIGHTS RESERVED.

LOC		DIST		REVISIONS			
P	LTR	DESCRIPTION	DATE	DWN	APVD		
	A	RELEASED PER-0205-05	25-APR-05	KW	CJ		



- 1 MATERIAL: CONTACTS - BRASS
HOUSING - UL 94V-0 RATED HIGH TEMP NYLON, COLOR BLACK.
- 2 PLATING: CONTACTS - 0.38µm MINIMUM GOLD ON MATING END,
2.54µm MINIMUM TIN LEAD ON SOLDER TAILS, BOTH OVER
1.27µm MINIMUM NICKEL.
- 4 RECOMMENDED PC BOARD THICKNESS OF 1.57.
- 5 PLATING: CONTACTS - 0.38µm MINIMUM GOLD ON MATING END,
2.54µm MINIMUM MATTE TIN ON SOLDER TAILS, BOTH OVER
1.27µm MINIMUM NICKEL.

FINISH	DIM Z	DIM V	DIM T	DIM W	NO. OF POSN	PART NUMBER
5	33.00	28.70	33.00	40.14	12	3-1445089-2
5	30.00	25.70	30.00	37.14	11	3-1445089-1
5	27.00	22.70	27.00	34.14	10	3-1445089-0
5	24.00	19.70	24.00	31.14	9	2-1445089-9
5	21.00	16.70	21.00	28.14	8	2-1445089-8
5	18.00	13.70	18.00	25.14	7	2-1445089-7
5	15.00	10.70	15.00	22.14	6	2-1445089-6
5	12.00	7.70	12.00	19.14	5	2-1445089-5
5	9.00	4.70	9.00	16.14	4	2-1445089-4
5	-	-	6.00	13.14	3	2-1445089-3
5	-	-	3.00	10.14	2	2-1445089-2
2	33.00	28.70	33.00	40.14	12	1-1445089-2
2	30.00	25.70	30.00	37.14	11	1-1445089-1
2	27.00	22.70	27.00	34.14	10	1-1445089-0
2	24.00	19.70	24.00	31.14	9	1445089-9
2	21.00	16.70	21.00	28.14	8	1445089-8
2	18.00	13.70	18.00	25.14	7	1445089-7
2	15.00	10.70	15.00	22.14	6	1445089-6
2	12.00	7.70	12.00	19.14	5	1445089-5
2	9.00	4.70	9.00	16.14	4	1445089-4
2	-	-	6.00	13.14	3	1445089-3
2	-	-	3.00	10.14	2	1445089-2

METRIC

THIS DRAWING IS A CONTROLLED DOCUMENT FOR AMP INCORPORATED. IT IS SUBJECT TO CHANGE AND THE CONTROLLING ENGINEERING ORGANIZATION SHOULD BE CONTACTED FOR THE LATEST REVISION.

DWN J. ROOT 09OCT2000
 CHR K. WHITAKER 17-APR-2001
 APVD C. JONES 17-APR-2001

AMP Tyco Electronics
 Harrisburg, PA 17105-3608

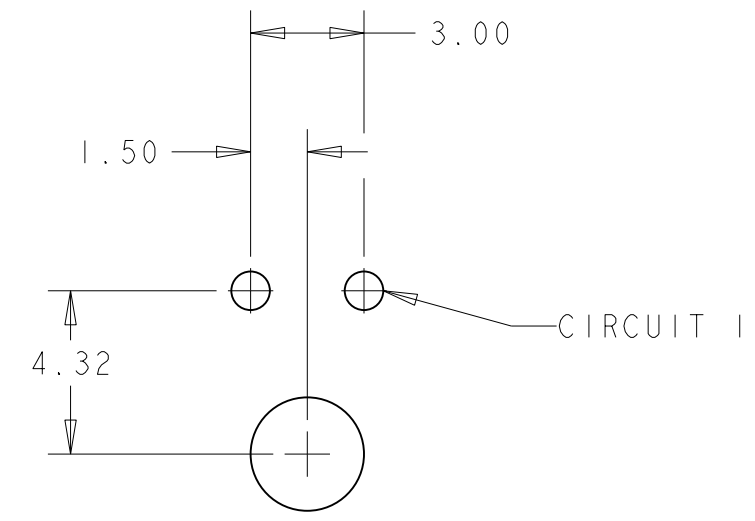
RIGHT ANGLE THRU HOLE HEADER ASSY,
 0.38 MIC GOLD CONTACTS, WITH PLASTIC
 HOLDDOWNS, SGL ROW, MICRO MATE-N-LOK™

SIZE A2 CAGE CODE 00779 DRAWING NO. C-1445089
 SCALE 5:1 SHEET 1 OF 2 REV A

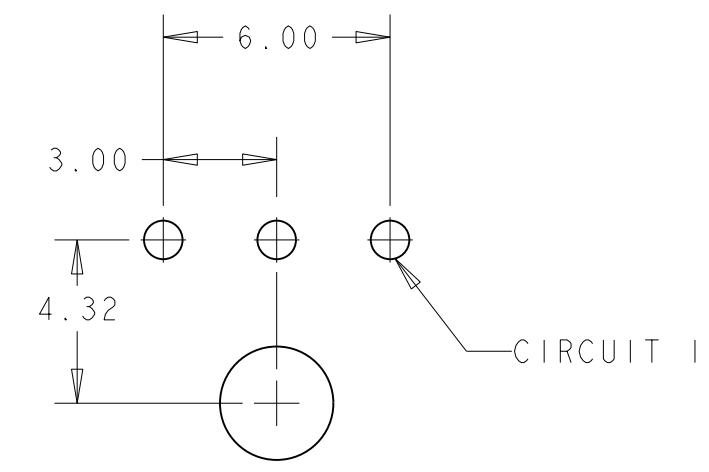
MATERIAL 1 SEE TABLE WEIGHT - CUSTOMER DRAWING

THIS DRAWING IS UNPUBLISHED. RELEASED FOR PUBLICATION .19
 © COPYRIGHT 19 BY AMP INCORPORATED. ALL RIGHTS RESERVED.

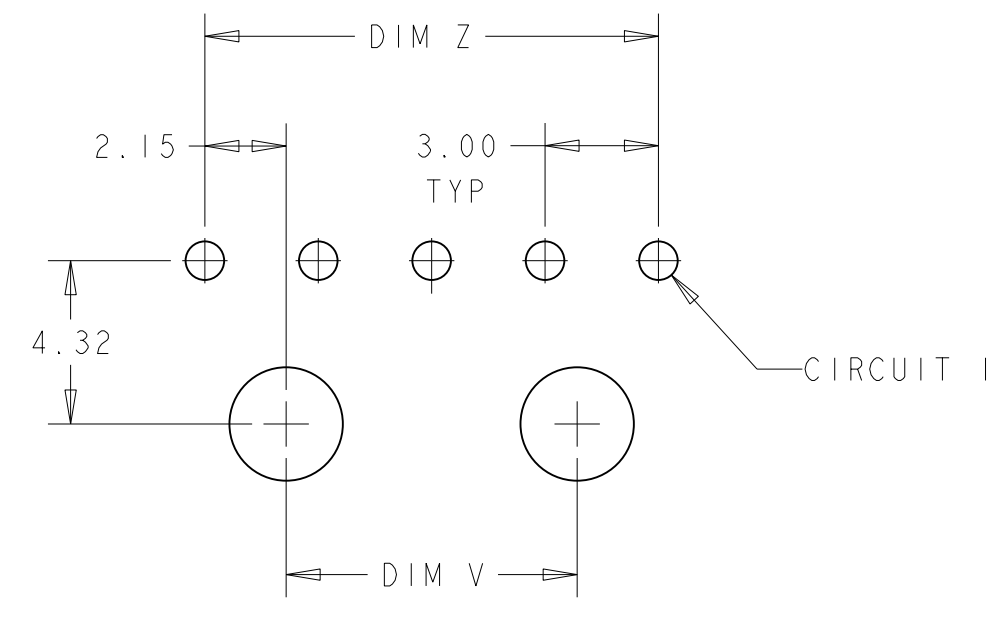
LOC	DIST	REVISIONS			
P	LTR	DESCRIPTION	DATE	DWN	APVD
CM	00	-	SEE SHEET 1	-	-



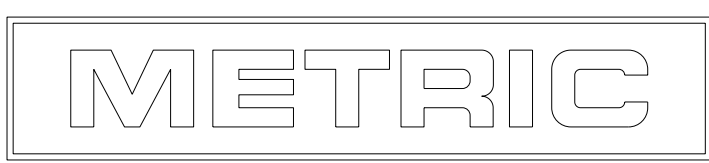
PCB LAYOUT FOR 2 POSITION COMPONENT SIDE



PCB LAYOUT FOR 3 POSITION COMPONENT SIDE



PCB LAYOUT FOR 4-12 POSITION COMPONENT SIDE



THIS DRAWING IS A CONTROLLED DOCUMENT FOR AMP INCORPORATED. IT IS SUBJECT TO CHANGE AND THE CONTROLLING ENGINEERING ORGANIZATION SHOULD BE CONTACTED FOR THE LATEST REVISION.		DWN J. ROOT 09OCT2000	AMP Tyco Electronics Harrisburg, PA 17105-3608
DIMENSIONS: mm		CHR K. WHITAKER 17-APR-2001	
TOLERANCES UNLESS OTHERWISE SPECIFIED: 0 PLC ± 1 PLC ± 2 PLC ±0.13 3 PLC ± 4 PLC ± ANGLES ±		APVD C. JONES 17-APR-2001	NAME RIGHT ANGLE THRU HOLE HEADER ASSY, 0.38 MIC GOLD CONTACTS, WITH PLASTIC HOLDDOWNS, SGL ROW, MICRO MATE-N-LOK™
MATERIAL -		PRODUCT SPEC -	SIZE A2
FINISH SEE TABLE		APPLICATION SPEC -	CAGE CODE 00779
		WEIGHT -	DRAWING NO C=1445089
		CUSTOMER DRAWING	SCALE 5:1 SHEET 2 OF 2 REV A